

ZETTLER DISPLAYS

XIAMEN ZETTLER ELECTRONICS CO., LTD.

SPECIFICATIONS FOR LIQUID CRYSTAL DISPLAY

CUSTOMER APPROVAL			
※PART NO. : ACM1602NI-FLW-FBW-M01(ZETTLER DISPLAYS) VER1.4			
APPROVAL		COMPANY CHOP	
CUSTOMER COMMENTS			

DISPLAYTRONIC ENGINEERING APPROVAL		
DESIGNED BY	CHECKED BY	APPROVED BY
Jacky	LIJF	GZH

REVISION RECORD

REVISION	REVISION DATE	PAGE	CONTENTS
VER1.0	31/10-2011		FIRST ISSUE
VER1.1	02/02-2012	19	ADD DDRAM ADDRESS
VER1.2	21/03-2012	3&7	1、 3.2.1 ELECTRICAL-OPTICAL CHARACTERISTICS OF LED BACKLIGHT: CHANGED PEAK WAVE LENGTH TO CHROMA COORDINATE 2、 CHANGED PIN ASSIGNMENT——VDD: FROM 5.0V TO 3.3V
VER1.3	13/12-2018	P17	ADD BACKLIGHT SIZE
VER1.4	19/02-2019	P4	CHANGE BACKLIGHT CIRCUIT

※ **CONTENTS**

- 1.0 GENERAL SPECS
- 2.0 ABSOLUTE MAXIMUM RATINGS
- 3.0 ELECTRICAL CHARACTERISTICS
- 4.0 OPTICAL CHARACTERISTICS
- 5.0 BLOCK DIAGRAM AND POWER SUPPLY DIAGRAM
- 6.0 PIN ASSIGNMENT
- 7.0 I2C TIMING CHARACTERISTICS
- 8.0 THE REFERENCED CODE
- 9.0 MECHANICAL DIAGRAM
- 10.0 RELIABILITY TEST
- 11.0 DISPLAY INSTRUCTION TABLE
- 12.0 STANDARD CHARACTER PATTERNS
- 13.0 APPEARANCE CRITERIA
- 14.0 PRECAUTION FOR USING LCM

1.0 GENERAL SPECS

1. Display Format	16*2 Character
2. Power Supply	3.3V(Single power supply with integrated DC-DC,adjustable Vop)
3. Module outline dimension	85.0mm(W) x 33.5mm(H) x max 13.5mm(D)
1. Viewing Area(W*H)	64.5mm(W) x 16.4mm(H)
2. Dot Size (W*H)	0.56mm(W) x 0.61mm(H)
3. Dot Pitch (W*H)	0.61mm(W) x 0.66mm(H)
4. Character Size (W*H)	3.00mm(W) x 5.23mm(H)
5. Character Pitch (W*H)	3.51mm(W) x 5.75mm(H)
6. Viewing Direction	6:00 O'Clock
7. Driving Method	1/16Duty,1/5Bias
8. Control IC	PIC16F689 and ST7066U-0A
9. Display Mode	FSTN /Positive/Transflective
10. Backlight	White LED/Side
11. Operating temperature	-20°C ~ 70°C
12. Storage temperature	-30°C ~ 80°C
13. Interface	I2C
14. ROHS	ROHS compliant

2.0 ABSOLUTE MAXIMUM RATINGS

Item	Symbol	Min	Typ	Max	Unit
Operating temperature	Top	-20	--	70	°C
Storage temperature	Tst	-30	--	80	°C
Input voltage	Vin	Vss-0.3	--	Vdd+0.3	V
Supply voltage for logic	Vdd- Vss	2.7	--	5.5	V
Supply voltage for LCD driving	Vdd- V0	3.0	--	8.0	V

3.0 ELECTRICAL CHARACTERISTICS

3.1 Electrical Characteristics Of LCM

Item	Symbol	Condition	Min	Typ	Max	Unit
Power Supply Voltage	Vdd	25°C	3.1	3.3	3.5	V
Power Supply Current	Idd	Vdd=3.3V, fosc=270kHz	--	3.5	5	mA
Input voltage (high)	Vih	Pins:(E,RS,R/ W,DB0-DB7) VDD=3.3V	0.7Vdd	--	Vdd	V
Input voltage (low)	Vil		-0.3	--	0.6	V
Recommended Driving Voltage	LC Vdd -V0	-20°C	4.6	4.8	5.0	V
		25°C	4.3	4.5	4.7	
		70°C	3.9	4.1	4.3	

3.2 The Characteristics Of LED Backlight

3.2.1 Electrical-Optical Characteristics Of LED Backlight (Ta=25°C)

Item	Symbol	Condition	Min	Typ	Max	Unit
Forward Voltage ⁽¹⁾	Vf	If=15mA	2.9	3.1	3.3	V
Reverse Voltage	Vr	-	--	--	5	V
Luminance ⁽²⁾	Lv	If=15mA	240	300	--	cd/m ²
Uniformity ⁽³⁾	Δ	(Lvmin/Lvmax)%	70%	--	--	-
Peak wave length	λp	-	--	--	--	nm
Chroma coordinate	x	If=15mA	0.26	--	0.30	um
	y	If=15mA	0.27	--	0.31	um
Lifetime ⁽⁴⁾	-	If=15mA	-	20000	-	Hours

NOTE:

(1) Forward voltage means voltage applied directly to the LED, please refer to the backlight diagram.

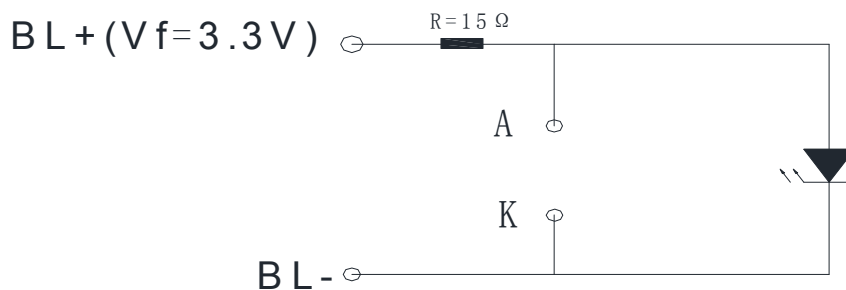
(2)The luminance is the average value of 5 points,The measurement instrument is BM-7 luminance colorimeter.The diameter of aperture is Φ5mm

(3) Luminance means the backlight brightness without LCD.

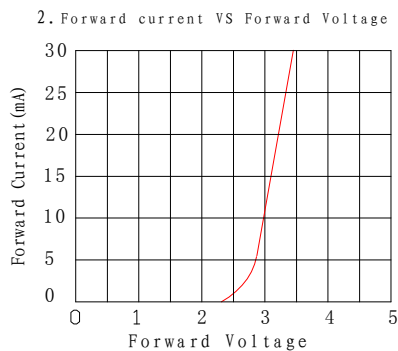
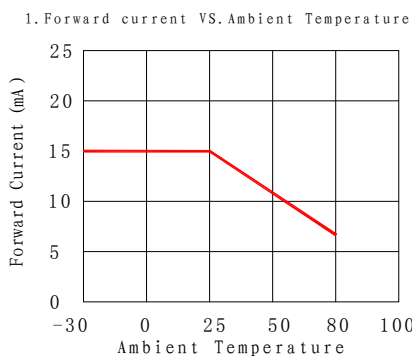
(4) Backlight lifetime means luminance value larger than half of the original after 20000 hours' continuous working.

(5) Please apply the backlight current as the table recommend. If LCM surface luminance is acceptable, please apply the driving current as lower as possible. Any time, do not apply the driving current higher than 20mA.

3.2.2 Backlight Control Circuit FOR LCM (1*1=1 pcs LED)



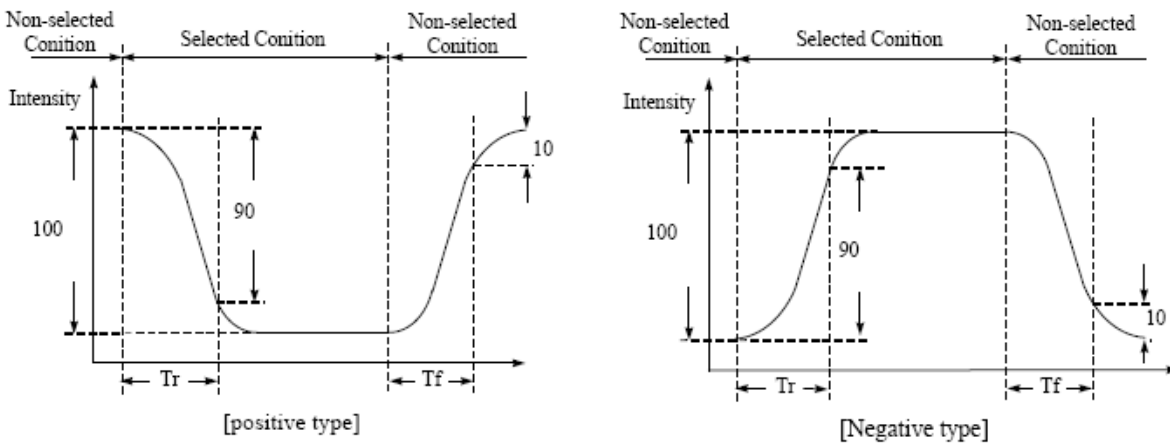
3.2.3 LED Characteristics Curves (for single led)



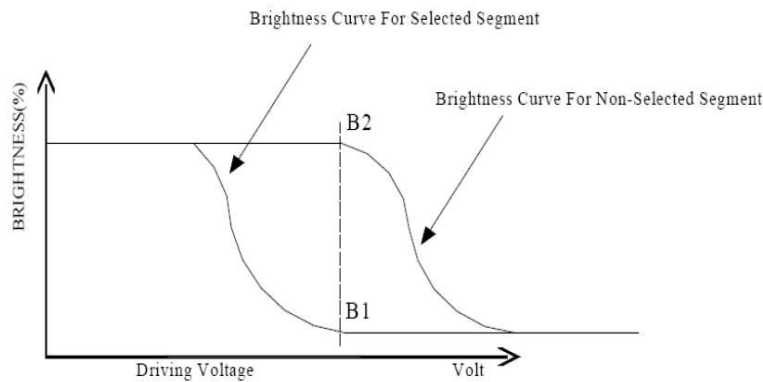
4.0 OPTICAL CHARACTERISTICS (Ta=25°C)

Item	Symbol	Condition	Min	Typ	Max	Unit
Viewing angle (Left - right)	θ_2	$Cr \geq 2.0$	-35	-	35	deg
Viewing angle (Up-down)	θ_1	$Cr \geq 2.0$	-25	-	40	deg
Contrast Ratio	Cr	$\theta_1=0^\circ, \theta_2=0^\circ$	-	6	-	-
Response time (rise)	Tr	$\theta_1=0^\circ, \theta_2=0^\circ$	-	180	300	ms
Response time (fall)	Tf	$\theta_1=0^\circ, \theta_2=0^\circ$	-	150	250	ms

(1). Definition of Optical Response Time

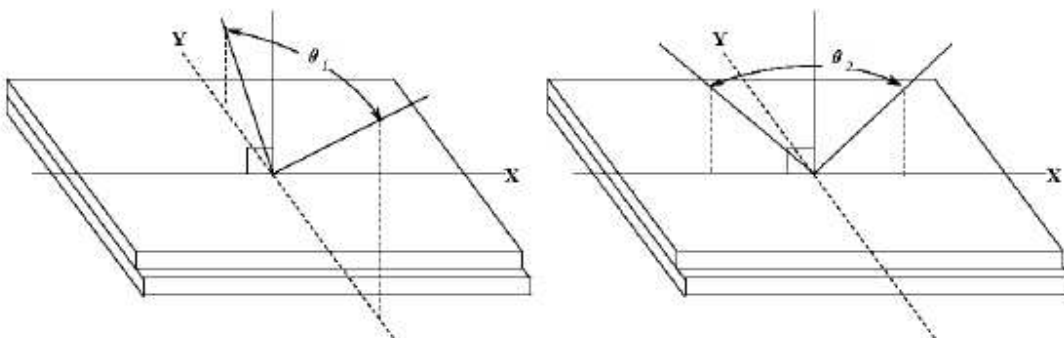


(2). Definition of Contrast Ratio



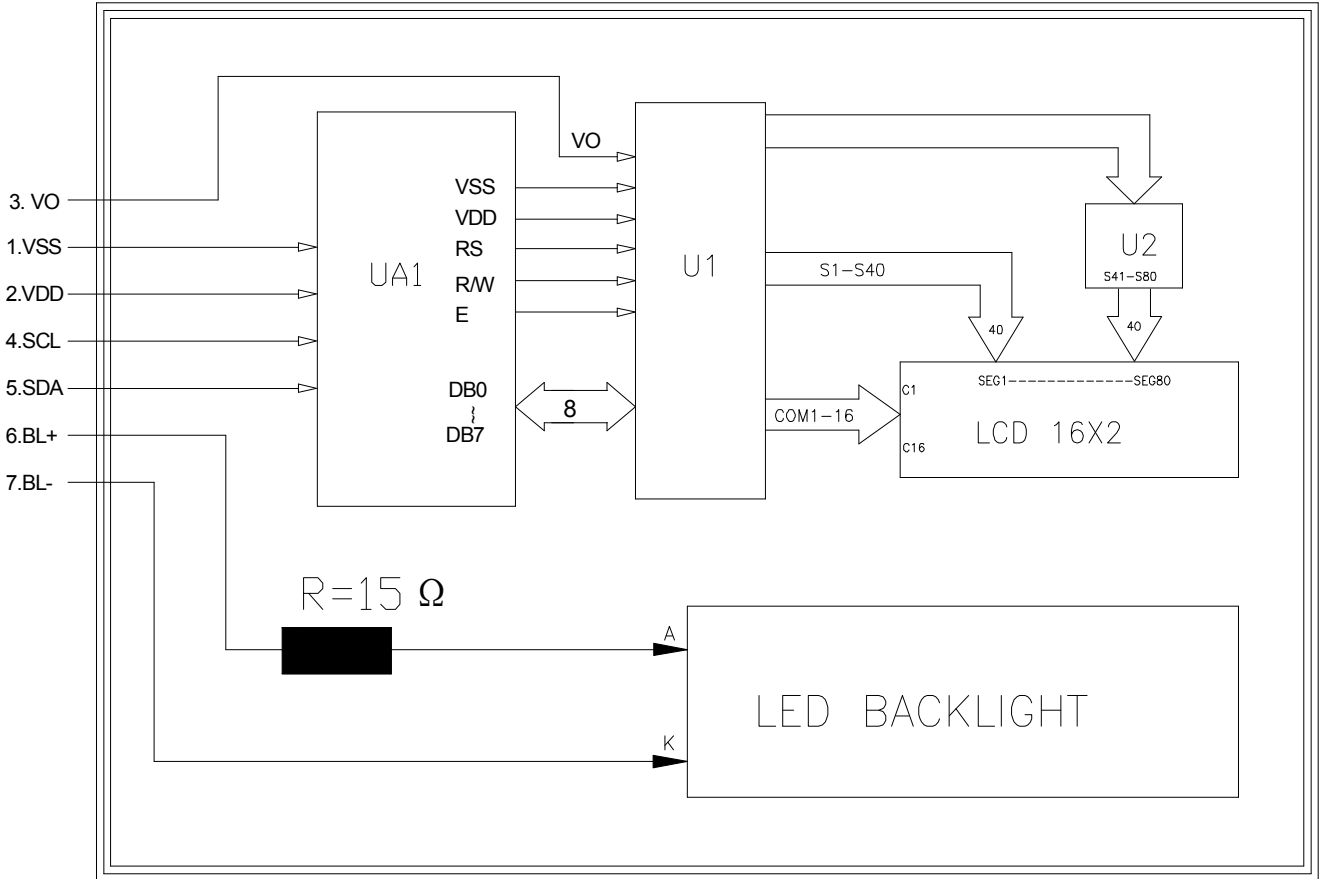
$$Cr = \frac{\text{Brightness of Non-selected Segment}(B2)}{\text{Brightness of selected Segment}(B1)}$$

(3). Definition of Viewing Angle θ_2 and θ_1

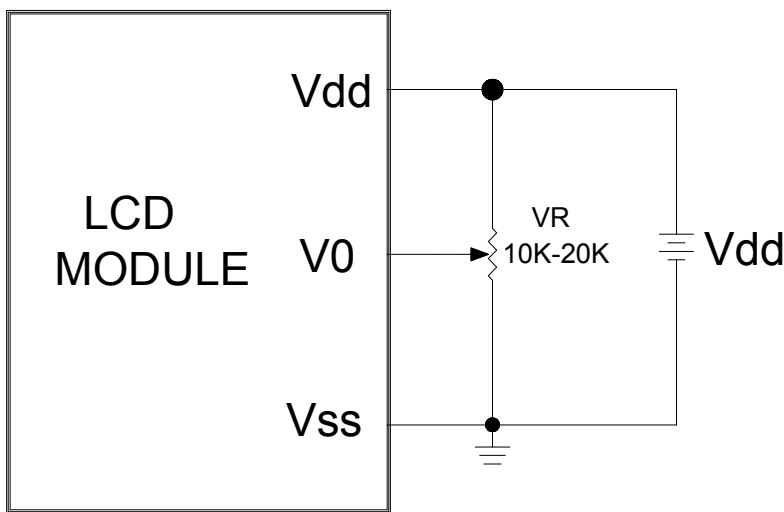


5.0 BLOCK DIAGRAM AND POWER SUPPLY DIAGRAM

5.0.1 BLOCK DIAGRAM



5.0.2 POWER SUPPLY DIAGRAM



6.0 PIN ASSIGNMENT

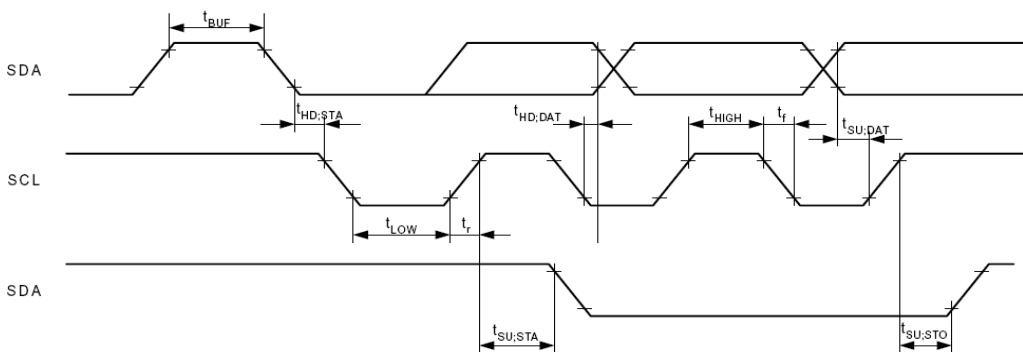
Pin No.	Symbol	Function
1	VSS	Ground
2	VDD	3.3V
3	V ₀	LCD contrast adjust
4	SCL	SERIAL CLOCK INPUT
5	SDA	SERIAL DATA INPUT
6	BL+	Power Supply for BL+ 3.3V
7	BL-	Power Supply for BL-

7.0 I2C TIMING CHARACTERISTICS

7.0.1 TIMING

V_{DD} = 5V, V_{SS} = 0V, T_A = 25°C, unless otherwise specified

Symbol	Parameter	Min.	Typ.	Max.	Unit	Conditions
Timing characteristics: I ² C-bus interface (input capacitance C _I = 10pF)						
f _{SCL}	SCL clock frequency	–	–	100	KHz	
t _{LOW}	SCL clock low period	5.2	–	–	μs	
t _{HIGH}	SCL clock high period	2.4	–	–	μs	
t _{SU;DAT}	data set-up time	400	–	–	ns	
t _{HD;DAT}	data hold time	0	–	–	ns	
t _r	SCL, SDA rise time	–	–	400	ns	
t _f	SCL, SDA fall time	–	–	400	ns	
C _B	capacitive bus line load	–	–	400	pF	
t _{SU;STA}	set-up time for a repeated START condition	2.4	–	–	μs	
t _{HD;STA}	START condition hold time	2.4	–	–	μs	
t _{SU;STO}	set-up time for STOP condition	2.4	–	–	μs	
t _{SW}	tolerable spike width on bus	–	–	80	ns	



7.0.2 I2C interface:

It just only could write Data or Instruction to LCM by the IIC Interface.
 It could not read Data or Instruction from LCM (except Acknowledge signal).

SCL: serial clock input

SDA: serial data input

Slaver address could only set to 1010000, no other slaver address could be set.

The I2C interface send RAM data and executes the commands sent via the I2C Interface. It could send data bit to the RAM. The I2C Interface is two-line communication between different ICs or modules. The two lines are a Serial Data line (SDA) and a Serial Clock line (SCL). Data transfer may be initiated only when the bus is not busy.

BIT TRANSFER:

One data bit is transferred during each clock pulse. The data on the SDA line must remain stable during the HIGH period of the clock pulse because changes in the data line at this time will be interpreted as a control signal. Bit transfer is illustrated in Fig.1.

START AND STOP CONDITIONS:

Both data and clock lines remain HIGH when the bus is not busy. A HIGH-to-LOW transition of the data line, while the clock is HIGH is defined as the START condition (S). A LOW-to-HIGH transition of the data line while the clock is HIGH is defined as the STOP condition (P). The START and STOP conditions are illustrated in Fig.2.

SYSTEM CONFIGURATION:

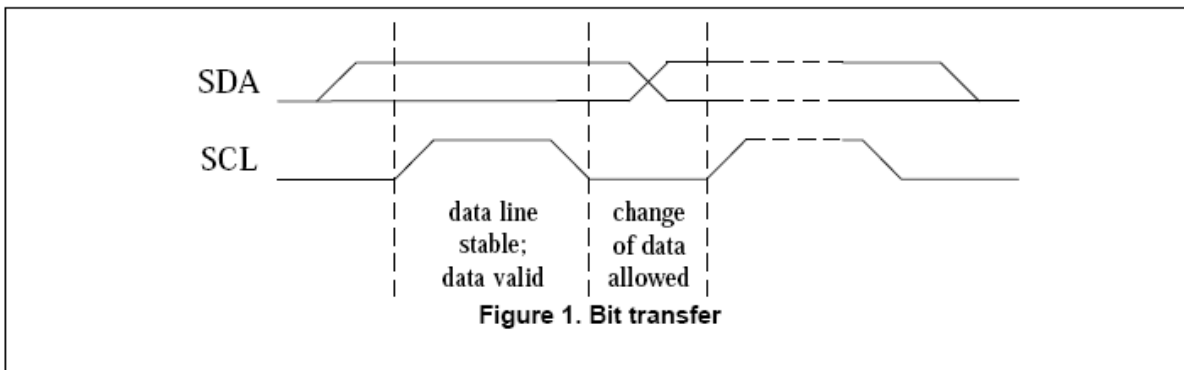
The system configuration is illustrated in Fig.3.

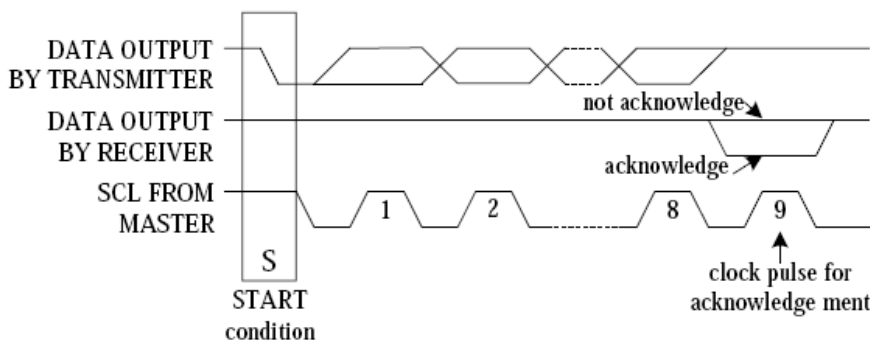
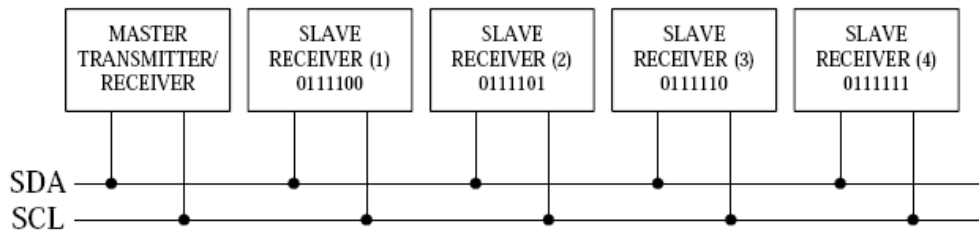
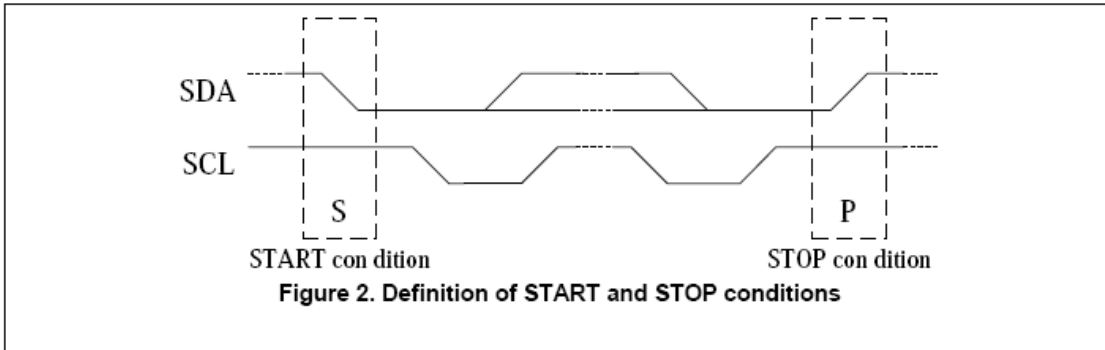
- Transmitter: the device, which sends the data to the bus
- Master: the device, which initiates a transfer, generates clock signals and terminates a transfer
- Slave: the device addressed by a master
- Multi-Master: more than one master can attempt to control the bus at the same time without corrupting the message
 - Arbitration: procedure to ensure that, if more than one master simultaneously tries to control the bus, only one is allowed to do so and the message is not corrupted
 - Synchronization: procedure to synchronize the clock signals of two or more devices.

ACKNOWLEDGE:

Acknowledge is not Busy Flag in I2C interface.

Each byte of eight bits is followed by an acknowledge bit. The acknowledge bit is a HIGH signal put on the bus by the transmitter during which time the master generates an extra acknowledge related clock pulse. A slave receiver which is addressed must generate an acknowledge after the reception of each byte. A master receiver must also generate an acknowledge after the reception of each byte that has been clocked out of the slave transmitter. The device that acknowledges must pull-down the SDA line during the acknowledge clock pulse, so that the SDA line is stable LOW during the HIGH period of the acknowledge related clock pulse (set-up and hold times must be taken into consideration). A master receiver must signal an end-of-data to the transmitter by not generating an acknowledge on the last byte that has been clocked out of the slave. In this event the transmitter must leave the data line HIGH to enable the master to generate a STOP condition. Acknowledgement on the I2C Interface is illustrated in Fig.4.



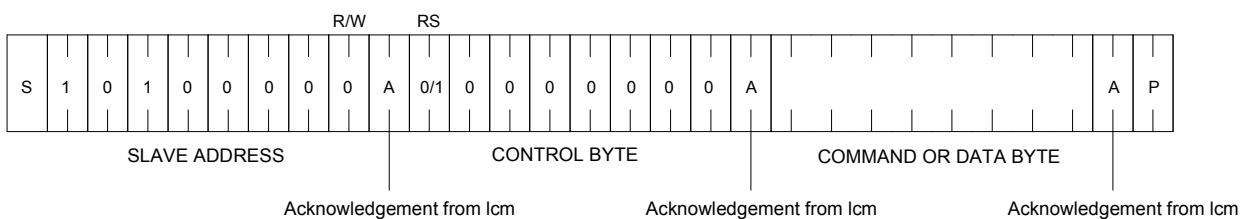


7.0.3 I2C Interface protocol:

The LCM supports command, data write addressed slaves on the bus.

Before any data is transmitted on the I2C Interface, the device, which should respond, is addressed first. Only one 7-bit slave addresses (1010000) is reserved for the LCM. The RW is assigned to 0 for Write only. The I2C Interface protocol is illustrated in Fig.5.

The sequence is initiated with a START condition (S) from the I2C Interface master, which is followed by the slave address. All slaves with the corresponding address acknowledge in parallel, all the others will ignore the I2C Interface transfer. After acknowledgement, a control byte will be followed which defines RS bit. The state of the RS bit defines whether the data byte is interpreted as a command or as RAM data. When the control byte is 0x00, the next following byte is command byte. When the control byte is 0x80, the next following byte is data byte. Only the addressed master slave makes the acknowledgement after each byte. At the end of the transmission the I2C INTERFACE-bus master issues a STOP condition (P).



8.0 THE REFERENCED CODE

8.0.1 PICC REFERENCED CODE FOR PIC SERIES MCU

```
//PIC16F877A,11.0592MHZ,PICC
//*****//
#include <pic.h>
#include <pic1687x.h>
//*****//
#define uchar unsigned char
//*****//
#define sda RC4
#define sclk RC3
//*****//
__CONFIG(HS & WDTDIS & PWRTDIS & BORDIS & LVPDIS & DUNPROT & UNPROTECT);
//*****//
const uchar table[]=
{
  "This is program for "
  "The Master is:16f877"
  "i2c interface.  "
  "The Slave is:16f689 "
};
//*****//
void long_delay(void)
{
  uchar i,j;
  for(i=0;i<25;i++)
    for(j=0;j<255;j++)
      ;
}
//*****//
void short_delay(void)
{
  uchar i,j;
  for(i=0;i<1;i++)
    for(j=0;j<1;j++)
      ;
}
//*****//
void start(void)
{
  sclk=1;
  sda=1;
  sda=0;
  sclk=0;
}
//*****//
void stop(void)
{
  sclk=1;
  sda=0;
  sda=1;
  sclk=0;
}
//*****//
void write_byte(byte)
{
  uchar i;
  for(i=8;i>0;i--)
  {
```

```

if((byte & 0x80)==0x80)
    sda=1;
else
    sda=0;
sclk=1;
sclk=0;
byte=byte<<1;
}
sda=1;
sclk=1;
TRISC4=1;
while(sda);
sclk=0;
TRISC4=0;
short_delay();          //wait for a moment,you can adjust it.
}
//*****//
void WtiteCommand(command)
{
start();
write_byte(0xa0);
write_byte(0x00);
write_byte(command);
stop();
}
//*****//
void WriteData(data)
{
start();
write_byte(0xa0);
write_byte(0x80);
write_byte(data);
stop();
}
//*****//
main()
{
uchar i;
long_delay();          //at least 15ms
long_delay();
POR=1;
BOR=1;
TRISC=0x00;
sda=1;
sclk=1;
WtiteCommand(0x01);
long_delay();          //at least 5ms
long_delay();
WtiteCommand(0x38);
long_delay();          //at least 5ms
long_delay();
WtiteCommand(0x0f);
long_delay();          //at least 5ms
long_delay();
WtiteCommand(0x06);
long_delay();          //at least 5ms
long_delay();
while(1)
{
WtiteCommand(0x80);
long_delay();          //delay at least 5ms
for(i=0;i<16;i++)

```

```

    {
    WriteData(table[i]);
    long_delay();           //delay at least 5ms
    }
    WtiteCommand(0xC0);
    long_delay();           //delay at least 5ms
    for(i=0;i<16;i++)
    {
    WriteData(table[i]);
    long_delay();           //delay at least 5ms
    }

    WtiteCommand(0x01);
    }
}
//*****//

```

8.0.2 KEILC REFERENCED CODE FOR 51 SERIES MCU

```

//AT89S52,12MHZ,KEIL
//*****//
#include"at89x51.h"
//*****//
#define sclk P2_0
#define sda P2_1
//*****//
#define uchar unsigned char
//*****//
uchar code table[]=
{
    "This is program for "
    "The Master is:89S52 "
    "i2c interface.  "
    "The Slave is:16f689 "
};
//*****//
void long_delay(void)
{
    uchar i,j;
    for(i=0;i<25;i++)
        for(j=0;j<255;j++)
            ;
}
//*****//
void short_delay(void)
{
    uchar i,j;
    for(i=0;i<1;i++)
        for(j=0;j<1;j++)
            ;
}
//*****//
void start(void)
{
    sclk=1;
    sda=1;
    sda=0;
    sclk=0;
}
//*****//
void stop(void)
{
    sclk=1;
}

```

```

sda=0;
sda=1;
sclk=0;
}
//*****//
void write_byte(byte)
{
    uchar i;
    for(i=8;i>0;i--)
    {
        if((byte & 0x80)==0x80)
            sda=1;
        else
            sda=0;
        sclk=1;
        sclk=0;
        byte=byte<<1;
    }
    sda=1;
    sclk=1;
    while(sda);
    sclk=0;
    short_delay();           //wait for a moment ,you can adjust it.
}
//*****//
void WtiteCommand(command)
{
    start();
    write_byte(0xa0);
    write_byte(0x00);
    write_byte(command);
    stop();
}
//*****//
void WriteData(dat)
{
    start();
    write_byte(0xa0);
    write_byte(0x80);
    write_byte(dat);
    stop();
}
//*****//
main()
{
    uchar i;
    long_delay();           //at least 15ms
    long_delay();
    sda=1;
    sclk=1;
    WtiteCommand(0x01);
    long_delay();           //at least 5ms
    long_delay();
    WtiteCommand(0x38);
    long_delay();           //at least 5ms
    long_delay();
    WtiteCommand(0x0f);
    long_delay();           //at least 5ms
    long_delay();
    WtiteCommand(0x06);
    long_delay();           //at least 5ms
    long_delay();
}

```

```

while(1)
{
    WtiteCommand(0x80);
    long_delay();          //delay at least 5ms
    for(i=0;i<16;i++)
    {
        WriteData(table[i]);
        long_delay();      //delay at least 5ms
    }
    WtiteCommand(0xC0);
    long_delay();          //delay at least 5ms
    for(i=0;i<16;i++)
    {
        WriteData(table[i]);
        long_delay();      //delay at least 5ms
    }
    WtiteCommand(0x01);
}
}

```

8.0.3 PICC REFERENCED CODE FOR PIC SERIES MCU(USING MSSP MODULE)

```

//PIC16F877A,11.0592MHZ,PICC
//*****
#include <pic.h>
#include <pic1687x.h>
//*****
#define uchar unsigned char
//*****
#define sda RC4
#define sclk RC3
//*****
_CONFIG(HS & WDTDIS & PWRDIS & BORDIS & LVPDIS & DUNPROT & UNPROTECT);
//*****
const uchar table[]=
{
    "This is program for "
    "The Master is:16f877"
    "i2c interface.  "
    "The Slave is:16f689 "
};
//*****
void long_delay(void)
{
    uchar i,j;
    for(i=0;i<25;i++)
        for(j=0;j<255;j++)
            ;
}
//*****
void short_delay(void)
{
    uchar i,j;
    for(i=0;i<1;i++)
        for(j=0;j<1;j++)
            ;
}
//*****
void start(void)
{
    SEN=1;
    while(!SSPIF);
}

```

```

SSPIF=0;
}
//*****//
void stop(void)
{
    PEN=1;
    while(!SSPIF);
    SSPIF=0; }
//*****//
void write_byte(byte)
{
    SSPBUF=byte;
    while(!SSPIF);
    while(ACKSTAT);
    SSPIF=0; }
//*****//
void WtiteCommand(command)
{
    start();
    write_byte(0xa0);
    write_byte(0x00);
    write_byte(command);
    stop();
}
//*****//
void WriteData(data)
{
    start();
    write_byte(0xa0);
    write_byte(0x80);
    write_byte(data);
    stop();
}
//*****//
main()
{
    uchar i;
    long_delay();           //delay at least 15ms
    long_delay();
    POR=1;
    BOR=1;
    SSPSTAT=0x00;
    TRISC=0x18;
    SSPADD=0x09;
    SSPIE=0;
    SSPCON=0x28;
    INTCON=0x00;
    WtiteCommand(0x01);
    long_delay();           //delay at least 5ms
    WtiteCommand(0x38);
    long_delay();           //delay at least 5ms
    WtiteCommand(0x0f);
    long_delay();           //delay at least 5ms
    WtiteCommand(0x06);
    long_delay();           //delay at least 5ms
    while(1)
    {
        WtiteCommand(0x80);
        long_delay();           //delay at least 5ms
        for(i=0;i<16;i++)
        {
            WriteData(table[i]);

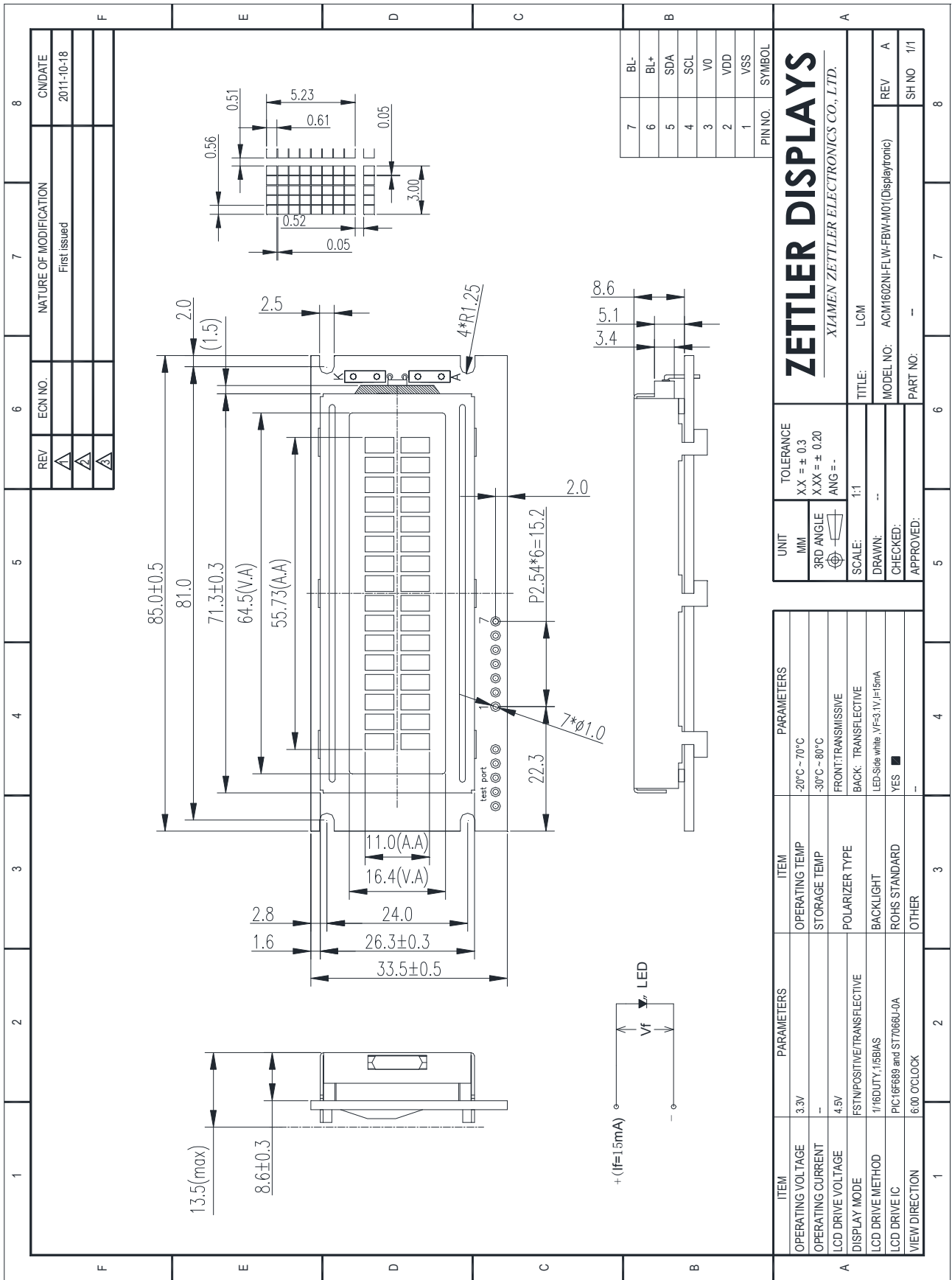
```



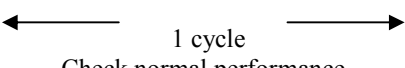
```
long_delay();           //delay at least 5ms
}
WtiteCommand(0xC0);
long_delay();           //delay at least 5ms
for(i=0;i<16;i++)
{
WriteData(table[i]);
long_delay();           //delay at least 5ms
}

WtiteCommand(0x01);
}
}
//*****//
```

9.0 MECHANICAL DIAGRAM



10.0 RELIABILITY TEST

NO	Test Item	Description	Test Condition	Remark	
1	Environmental Test	High temperature storage	Applying the high storage temperature Under normal humidity for a long time Check normal performance	80 °C 96hrs	
2		Low temperature storage	Applying the low storage temperature Under normal humidity for a long time Check normal performance	-30°C 96hrs	
3		High temperature Operation	Apply the electric stress(Voltage and current) Under high temperature for a long time	70 °C 96hrs	Note1
4		Low temperature Operation	Apply the electric stress Under low temperature for a long time	-20°C 96hrs	Note1 Note2
5		High temperature/High Humidity Storage	Apply high temperature and high humidity storage for a long time	90% RH 40°C 96hrs	Note2
6		Temperature Cycle	Apply the low and high temperature cycle -30°C <> 25°C <> 80°C <> 25°C 30min 10min 30min 10min  1 cycle Check normal performance	-30°C/80°C 10 cycle	
7	Mechanical Test	Vibration test(Package state)	Applying vibration to product check normal performance	Freq:10~55~10Hz Amplitude:0.75mm 1cycle time:1min X.Y.Z every direction for 15 cycles	
8		Shock test(package state)	Applying shock to product check normal performance	Drop them through 70cm height to strike horizontal plane	
9	Other				

Remark

Note1:Normal operations condition (25°C±5°C).

Note2:Pay attention to keep dewdrops from the module during this test.

11.0 DISPLAY INSTRUCTION TABLE AND DDRAM ADDRESS

Instruction	Instruction Code										Description	Execution time (Temp = 25°C)		
	RS	RW	DB7	DB6	DB5	DB4	DB3	DB2	DB1	DB0		Fosc= 190KHz	Fosc= 270KHz	Fosc= 350KHz
Clear Display	0	0	0	0	0	0	0	0	0	1	Write "20H" to DDRAM and set DDRAM address to "00H" from AC	2.16ms	1.52ms	1.18ms
Return Home	0	0	0	0	0	0	0	0	1	-	Set DDRAM address to "00H" from AC and return cursor to its original position if shifted. The contents of DDRAM are not changed.	2.16ms	1.52ms	1.18ms
Entry Mode Set	0	0	0	0	0	0	0	1	I/D	S	Assign cursor moving direction and enable the shift of entire display	53µs	38µs	29µs
Display ON/OFF Control	0	0	0	0	0	0	1	D	C	B	Set display (D), cursor(C), and blinking of cursor(B) on/off control bit.	53µs	38µs	29µs
Cursor or Display Shift	0	0	0	0	0	1	S/C	R/L	-	-	Set cursor moving and display shift control bit, and the direction, without changing of DDRAM data.	53µs	38µs	29µs
Function Set	0	0	0	0	1	DL	N	F	-	-	Set interface data length (DL: 8-bit/4-bit), numbers of display line (N: 2-line/1-line) and, display font type (F:5x10 dots/5x8 dots)	53µs	38µs	29µs
Set CGRAM Address	0	0	0	1	AC5	AC4	AC3	AC2	AC1	AC0	Set CGRAM address in address counter.	53µs	38µs	29µs
Set DDRAM Address	0	0	1	AC6	AC5	AC4	AC3	AC2	AC1	AC0	Set DDRAM address in address counter	53µs	38µs	29µs
Read Busy Flag and Address Counter	0	1	BF	AC6	AC5	AC4	AC3	AC2	AC1	AC0	Whether during internal operation or not can be known by reading BF. The contents of address counter can also be read.			
Write Data to RAM	1	0	D7	D6	D5	D4	D3	D2	D1	D0	Write data into internal RAM (DDRAM/CGRAM).	53µs	38µs	29µs
Read Data from RAM	1	1	D7	D6	D5	D4	D3	D2	D1	D0	Read data from internal RAM (DDRAM/CGRAM).	53µs	38µs	29µs

Display

1 2 3 4 5 6 7 8 9 10 11 12 13 14 15 16

Position
DDRAM
Address

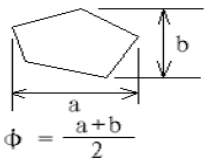
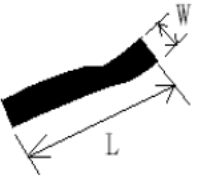
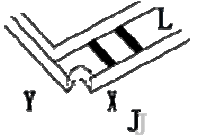
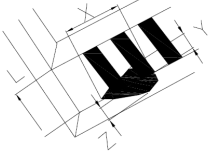
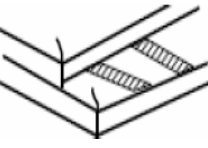

00	01	02	03	04	05	06	07	08	09	0A	0B	0C	0D	0E	0F
40	41	42	43	44	45	46	47	48	49	4A	4B	4C	4D	4E	4F

12.0 STANDARD CHARACTER PATTERNS

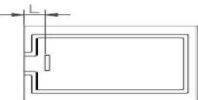
Lower 4 Bits \ Upper 4 Bits	0000	0001	0010	0011	0100	0101	0110	0111	1000	1001	1010	1011	1100	1101	1110	1111
xxxx0000	CG RAM (1)			0	a	P	`	P				-	9	3	ε	P
xxxx0001	(2)		!	1	A	Q	a	9			o	7	7	4	9	9
xxxx0010	(3)		"	2	B	R	b	r			「	イ	ツ	×	ρ	θ
xxxx0011	(4)		#	3	C	S	c	s			」	ウ	テ	ε	ε	∞
xxxx0100	(5)		\$	4	D	T	d	t			、	エ	ト	ト	μ	Ω
xxxx0101	(6)		%	5	E	U	e	u			・	オ	ナ	1	ε	ü
xxxx0110	(7)		&	6	F	V	f	v			ヲ	カ	ニ	ヨ	ρ	Σ
xxxx0111	(8)		'	7	G	W	g	w			ア	キ	ヌ	ラ	g	π
xxxx1000	(1)		(8	H	X	h	x			イ	ウ	ネ	リ	γ	⊗
xxxx1001	(2))	9	I	Y	i	y			ウ	ウ	ル	ル	γ	γ
xxxx1010	(3)		*	:	J	Z	j	z			エ	コ	ハ	レ	j	≠
xxxx1011	(4)		+	;	K	[k	(オ	サ	ヒ	ロ	*	π
xxxx1100	(5)		,	<	L	¥	l	l			カ	シ	フ	フ	φ	π
xxxx1101	(6)		-	=	M]	m)			ユ	ズ	ハ	ン	ε	÷
xxxx1110	(7)		.	>	N	^	n	→			ヨ	セ	ホ	°	π	π
xxxx1111	(8)		/	?	O	_	o	+			ッ	リ	マ	°	ö	■

Note: The character generator RAM is the RAM with which the user can rewrite character patterns by program.

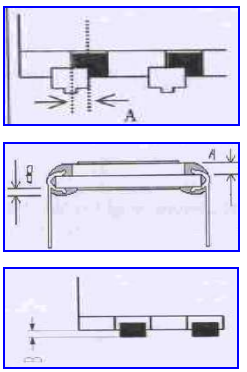
13.0 APPEARANCE CRITERIA

Item	Description	Picture	Specification			MA	MI	Inspection Method
Dot defects (black/white dot)	Scratches black dot white dot on the polarizer dirty spot and bubble between the polarizer and glass in the display area.	 <p>J:the distance between dot and dot.</p>	≤ 0.1	Ignored		●		Visual/contrast by Inspection standard film
			$0.1 < \phi \leq 0.20$	2	J > 5			
			$0.20 < \phi \leq 0.25$	1	J > 10			
			$0.25 < \phi \leq 0.30$	0				
			$0\phi > 0.3$	0				
black/white line defect (straight line or curve etc. Line type defects)	Fibres in active area, scratches and black line on the glass or polarizer.	 <p>J:the distance between dot and dot.</p>	$W \leq 0.01$	Ignored		●		Visual/contrast by Inspection standard film
			$W \leq 0.02 \quad L \leq 5$	2	J > 5			
			$W \leq 0.03 \quad L \leq 4$	1	J > 10			
			$W \leq 0.04 \quad L \leq 3$	0	J > 10			
			$W \leq 0.05 \quad L \leq 2$	0				
Chip on corner	sidestep on the lower glass	 <p>Y:width of chip X:length of chip L:width of sidestep J:distance between electrode and the farthermost edge.</p>	$Y \leq 1/2L, X \leq 1$	Ignored		●		Visual/contrast by Inspection standard film
			$Y \leq 1/2L, X \leq 2$	2				
			$Y \leq 1/2L, X \leq 3$	1				
			$Y \leq 1/2L, X \leq 1/3J$	0	J ≤ 3			
			$Y \leq 1/2L, X \leq 2/3J$	0	J ≤ 3			
Crack		 <p>Y:width of crack X:length of crack L:width of sidestep T:depth of crack Z:thickness of single glass</p>	$Y \leq 1/5L \quad X \leq 5 \quad Z \leq 1/2T$	Ignored		●		Visual/contrast by Inspection standard film
			$Y \leq 1/4L \quad X \leq 5 \quad Z \leq 1/2T$	2				
			$Y \leq 1/3L \quad X \leq 5 \quad Z \leq 1/2T$	1				
			$Y \leq 1/3L \quad X \leq 10 \quad Z \leq 1/2T$	0				
			$Y \leq 1/3L \quad X \leq 15 \quad Z \leq 1/2T$	0				
Crack			Cracks in any area	rejected		●		Visual
Polarizer			≤ 0.8	Accepted		●		Visual/

ACM1602NI-FLW-FBW-M01 (ZETTLER DISPLAYS) CHARACTER MODULE VER1.4

		be applicable for up/bottom polarizer	0.8<L≤1.0	Rejected			contrast by Inspection standard film
			1.0<L≤1.5	Rejected			
			1.5<L≤2.0	Rejected			
			<p>Any seeable polarizer slanting or excursion in active area will be rejected.</p> <p>The polarizer edge should be even and be line. Any indentation within 1/3 of silkscreen line will be rejected.</p> <p>Wrong direction, missing or extra, incorrect sticking for polarizer and dirty surface(grease) on polarizer will be rejected.</p> <p>seeable black silkscreen line from the arond can be accepted.</p> <p>Refer to the drawing size requirement.</p>				
End seal		 <p>L: The distance from the block to edge of glass.</p>	UV glue of seal on the glass surface	Rejected	●		Visual/contrast by Inspection standard film
			The UV glue of seal overflow into the active area.	Rejected			
			Direction of end seal is different from the drawing.	Rejected			
			Glue capacity of end seal < (1/3)*L	Rejected			
			the height and length of end seal is out of the drawing requirements.	Rejected			
Silkscreen line			silkscreen line overflow into the active area.	Rejected	●		Visual/contrast by Inspection standard film
			silkscreen line deviated in active area.	Rejected			
			bubble of silkscreen line ≥ 1/3 width of silkscreen line	Rejected			

ACM1602NI-FLW-FBW-M01 (ZETTLER DISPLAYS) CHARACTER MODULE VER1.4

PIN			<p>Glue on PIN: there is glue on the PIN without pin clip will be rejected. PIN glue solidification: PIN glue doesn't solidify completely. The sunken or glue stain by touching will be rejected.</p> <p>PIN deflection: if deflection angle $> \pm 5^\circ$, rejected; contrarily, please refer to the drawing requirement. Without continuous glue on pins will be rejected. PIN glue stains on polarizer or inleakage polarizer and glass, rejected. PIN glue exceeds the up polarizer, rejected.</p> <p>Missing or extra, broken pin, rejected.</p> <p>PIN loosen: no permission for pin loose or drop. Clip</p> <p>PIN:pin center exceeds 1/3 ITO width, rejected. No pin glue, rejected. UV glue range: UV glue must be exceeded over 1~1.5 pin distance from both side. if not, rejected. PIN length and direction must be same with the drawing requirements.</p>		●	Visual/contrast by Inspection standard film
Protective film			<p>LCD protective film can not stick on the polarizer and the product protective film raised $\leq 1/3$ length or width of polarizer from same direction of axis and its total length should be $\leq 15\text{mm}$. This defect can be accepted.</p>		●	Visual
Rainbow			rainbow is not in active area.	Accepted		Visual/contrast by golden sample
Rainbow in active area.	Rejected	●	with obvious discoloration and uneven color.	Rejected		
background color				There are obvious different background color from the same product lot.	Rejected	

NOTE:

Inspection condition:

Viewing distance for cosmetic inspection is 30cm with bare eyes, and under an environment of 800 lux(20W*2---40W) light intensity, all directions for inspecting the sample should be within 45° against perpendicular

14.0 PRECAUTION FOR USING LCM

1. When design the product with this LCD Module, make sure the viewing angle matches to its purpose of usage.
2. As LCD panel is made of glass substrate, Dropping the LCD module or banging it against hard objects may cause cracking or fragmentation. Especially at corners and edges.
3. Although the polarizer of this LCD Module has the anti-glare coating, always be careful not to scratch its surface. Use of a plastic cover is recommended to protect the surface of polarizer.
4. If the LCD module is stored at below specified temperature, the LC material may freeze and be deteriorated. If it is stored at above specified temperature, the molecular orientation of the LC material may change to Liquid state and it may not revert to its original state. Excessive temperature and humidity could cause polarizer peel off or bubble. Therefore, the LCD module should always be stored within specified temperature range.
5. Saliva or water droplets must be wiped off immediately as those may leave stains or cause color changes if remained for a long time. Water vapor will cause corrosion of ITO electrodes.
6. If the surface of LCD panel needs to be cleaned, wipe it swiftly with cotton or other soft cloth. If it is not still clean enough, blow a breath on the surface and wipe again.
7. The module should be driven according to the specified ratings to avoid malfunction and permanent damage. Applying DC voltage cause a rapid deterioration of LC material. Make sure to apply alternating waveform by continuous application of the M signal. Especially the power ON/OFF sequence should be kept to avoid latch-up of driver LSIs and DC charge up to LCD panel.
8. Mechanical Considerations
 - a) LCM are assembled and adjusted with a high degree of precision. Avoid excessive shocks and do not make any alterations or modifications. The following should be noted.
 - b) Do not tamper in any way with the tabs on the metal frame.
 - c) Do not modify the PCB by drilling extra holes, changing its outline, moving its components or modifying its pattern.
 - d) Do not touch the elastomer connector; especially insert a backlight panel (for example, EL).
 - e) When mounting a LCM makes sure that the PCB is not under any stress such as bending or twisting. Elastomer contacts are very delicate and missing pixels could result from slight dislocation of any of the elements.
 - f) Avoid pressing on the metal bezel, otherwise the elastomer connector could be deformed and lose contact, resulting in missing pixels.
9. Static Electricity
 - a) Operator

Wear the electrostatics shielded clothes because human body may be statically charged if not wear shielded clothes. Never touch any of the conductive parts such as the LSI pads; the copper leads on the PCB and the interface terminals with any parts of the human body.

b) Equipment

There is a possibility that the static electricity is charged to the equipment, which has a function of peeling or friction action (ex: conveyer, soldering iron, working table). Earth the equipment through proper resistance (electrostatic earth: 1×10^8 ohm).

Only properly grounded soldering irons should be used.

If an electric screwdriver is used, it should be well grounded and shielded from commutator sparks.

The normal static prevention measures should be observed for work clothes and working benches; for the latter conductive (rubber) mat is recommended.

c) Floor

Floor is the important part to drain static electricity, which is generated by operators or equipment.

There is a possibility that charged static electricity is not properly drained in case of insulating floor. Set the electrostatic earth (electrostatic earth: 1×10^8 ohm).

d) Humidity

Proper humidity helps in reducing the chance of generating electrostatic charges. Humidity should be kept over 50%RH.

e) Transportation/storage

The storage materials also need to be anti-static treated because there is a possibility that the human body or storage materials such as containers may be statically charged by friction or peeling.

The modules should be kept in antistatic bags or other containers resistant to static for storage.

f) Soldering

Solder only to the I/O terminals. Use only soldering irons with proper grounding and no leakage.

Soldering temperature : $355^{\circ} \text{C} \pm 10^{\circ} \text{C}$

Soldering time: 3 to 4 sec.

Use eutectic solder with resin flux fill.

If flux is used, the LCD surface should be covered to avoid flux spatters. Flux residue should be removed afterwards.

g) Others

The laminator (protective film) is attached on the surface of LCD panel to prevent it from scratches or stains. It should be peeled off slowly using static eliminator.

Static eliminator should also be installed to the workbench to prevent LCD module from static charge.

10. Operation

- a) Driving voltage should be kept within specified range; excess voltage shortens display life.
 - b) Response time increases with decrease in temperature.
 - c) Display may turn black or dark blue at temperatures above its operational range; this is (however not pressing on the viewing area) may cause the segments to appear "fractured".
 - d) Mechanical disturbance during operation (such as pressing on the viewing area) may cause the segments to appear "fractured".
11. If any fluid leaks out of a damaged glass cell, wash off any human part that comes into contact with soap and water. The toxicity is extremely low but caution should be exercised at all the time.
 12. Disassembling the LCD module can cause permanent damage and it should be strictly avoided.
 13. LCD retains the display pattern when it is applied for long time (Image retention). To prevent image retention, do not apply the fixed pattern for a long time. Image retention is not a deterioration of LCD. It will be removed after display pattern is changed.
 14. Do not use any materials, which emit gas from epoxy resin (hardener for amine) and silicone adhesive agent (dealcohol or deoxym) to prevent discoloration of polarizer due to gas.
 15. Avoid the exposure of the module to the direct sunlight or strong ultraviolet light for a long time.