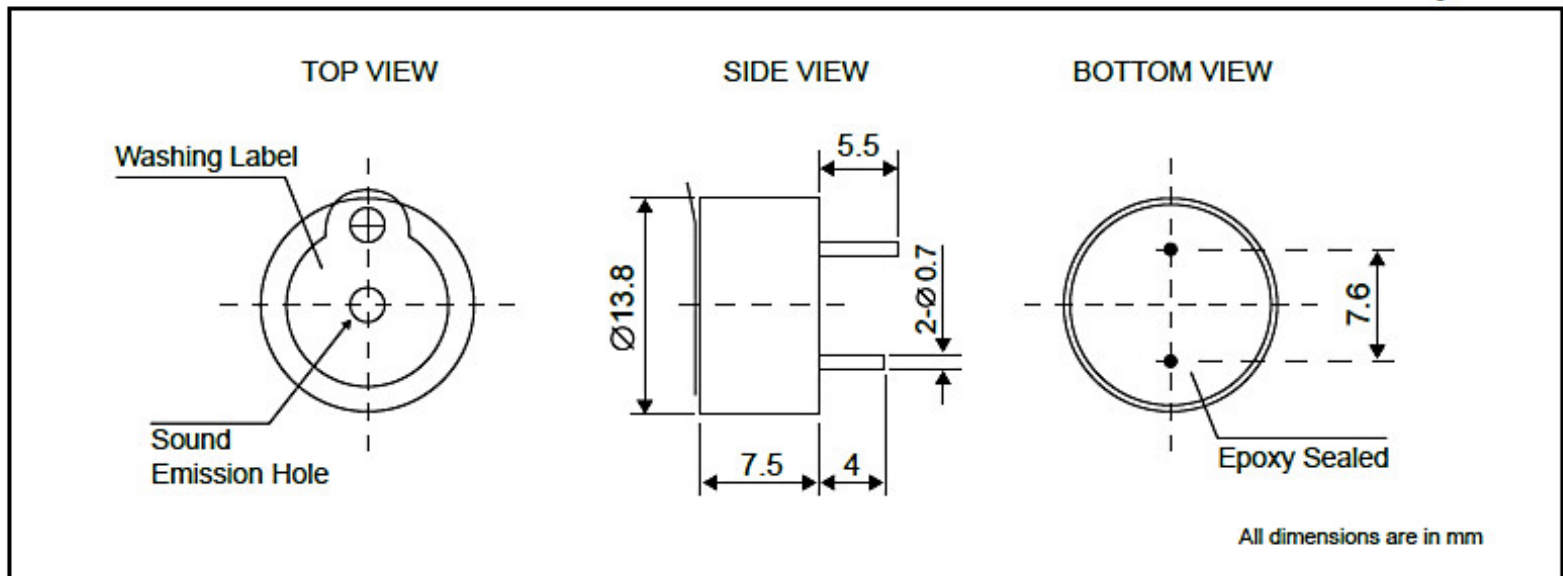




Piezo Buzzer SPB04 series

DIMENSIONS

Date : 04 May,2020



Ref. no. : P121247-R2



ELECTRICAL SPECIFICATIONS

Model No.		PB04-SE12HPR
Operating Voltage	[VDC]	3 ~ 15
Rated Voltage	[VDC]	12
* Max. Rated Current	[mA]	10
* Min. Sound Output	[dBA/10cm]	85
* Frequency	[Hz]	4000 +/- 500
Tone Nature		Single
Operating Temperature	[°C]	-20 ~ +70
Storage Temperature	[°C]	-30 ~ +80
Terminal		Pin
Housing Material		PBT
Colour		Black
Weight	[gm]	0.8

*Value applying at rated voltage